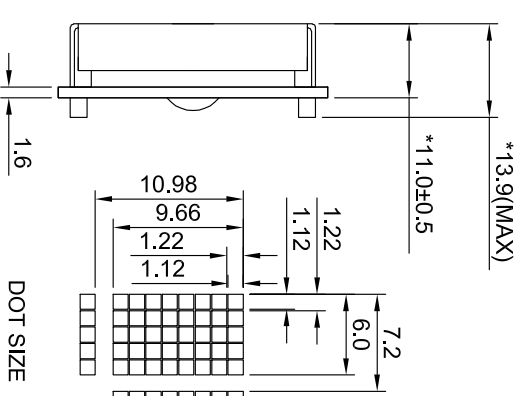
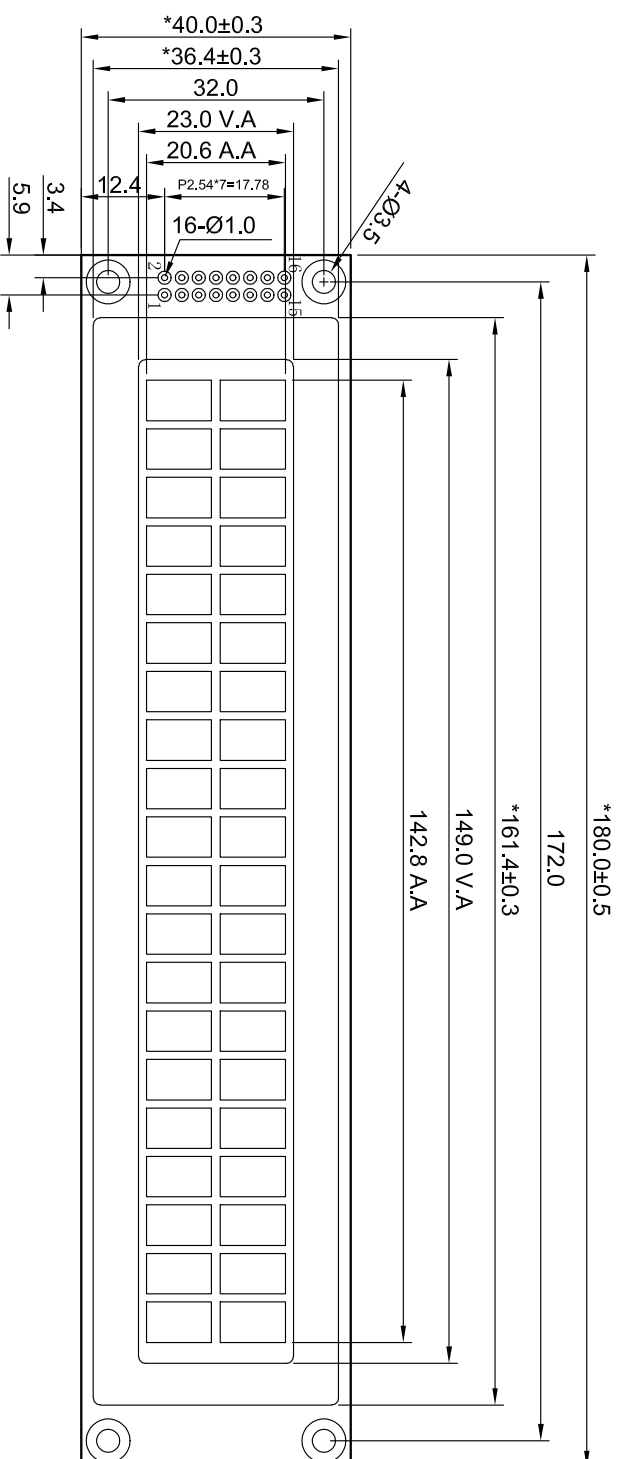


Customer approval :



SPECIFICATION:

- 1). Driving: Duty:1/16, Bias:1/5, Vdd:5.0V, Vlcd:4.6V
- 2). VIEWING DIRECTION: 6 O'CLOCK
- 3). Display mode: STN/Positive/ Transflective/YG
- 4). Operating temp.:0°C~+50°C
- 5). Storage temp.: -10°C~+60°C
- 6). Control IC: SPLC780D1 (Or Compatible)
- 7). BACKLIGHT: Array,YG
- 8). DIMENSIONS WITH MARK "*" ARE IMPORTANT WITH MARK "()" ARE REFERENCED
- 9). All the raw materials are RoHS compliant

1	2	3	4	5	6	7	8	9	10	11	12	13	14	15	16
VSS	VDD	Vo	RS	RW	E	DB0	DB1	DB2	DB3	DB4	DB5	DB6	DB7	BLK	BLA

REVISION RECORD		REV
First Issue	A0	

DRAWING NO.	SYB2002BV11-5C10YL1-B5NG	GENERAL TOL:	± 0.2
APPROVED BY	Liu	CHECKED BY	Francis
DRAWING BY	YJQ	DATE	2010/9/24

UNIT:	mm
PAGE	1/1


深圳市三元晶科技有限公司
 ShenZhen TCC LCD Hi-Tech Co., Ltd