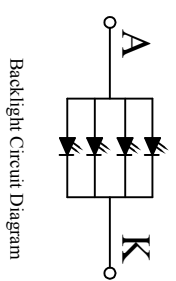
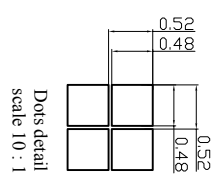
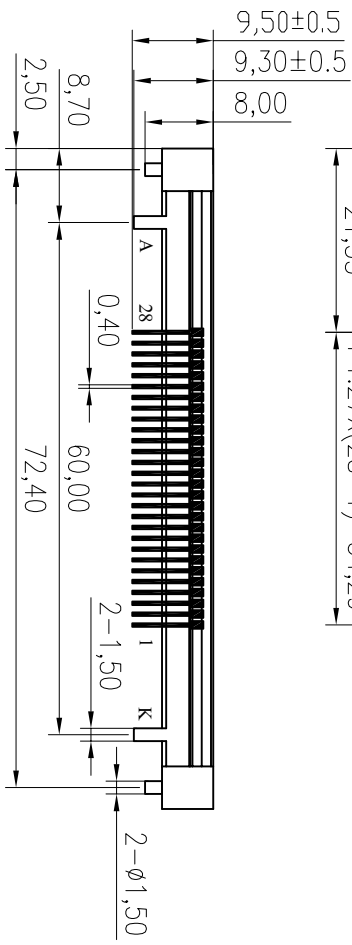
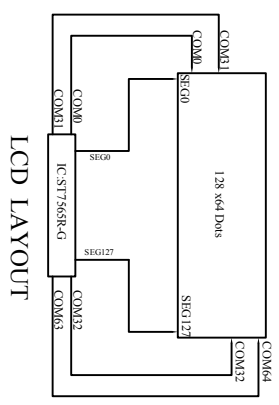
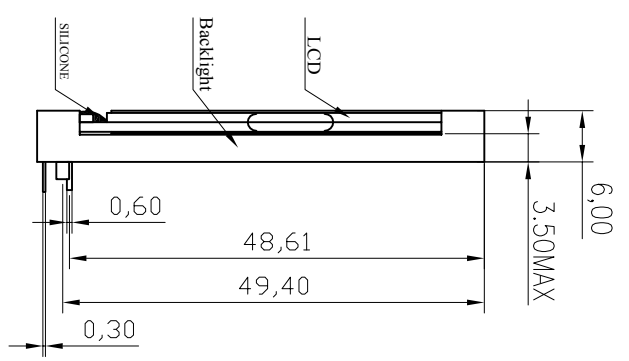
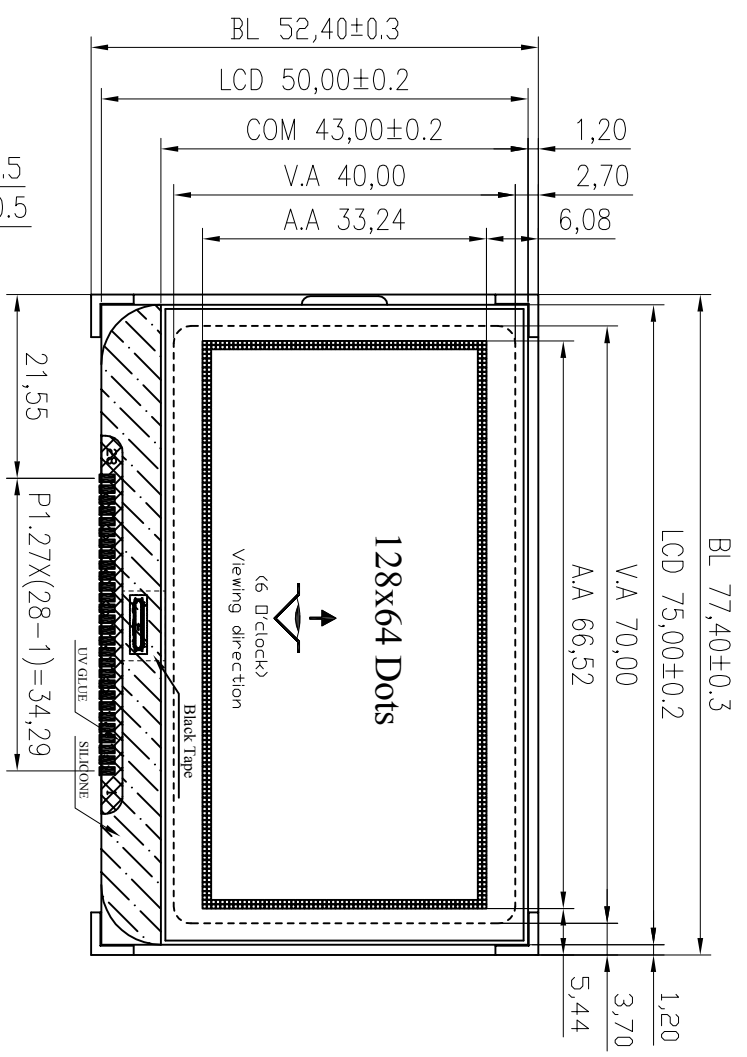
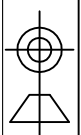


REV:	DESCRIPTION	BY	DATE
V1.0	New Issue	Mike	2015-07-14



NOTES:

- LCD TYPE: FSTN, Positive Transflective
- OPERATING VOLTAGE: VDD=3.0V, Vop=9.0V
- VIEWING DIRECTION: 6 O'CLOCK
- DRIVE METHOD: 1/65 Duty, 1/9 Bias
- OPERATING TEMP: -20°C TO +70°C
- STORAGE TEMP: -30°C TO +80°C
- CONNECTOR TAPE: COG+7mm Pin
- DRIVER IC: ST7565R-G or Equivalent
- BACKLIGHT: 4 pcs LED White, VF=3.1±0.2V, IF=20x4mA
- ALL sub-parts and materials of the parts, must comply with the RoHS instructions of EU.



深圳市三元晶科技术有限公司
Shenzhen TCC LCD Hi-Tech Co., Ltd.

SHEET: 1 of 1	DATE	MODEL NUMBER: SYG12864022	VERSION: 1.0	UNITS: MM
APPROVALS		GENERAL TOL: ± 0.2	DO NOT SCALE THIS DRAWING.	
DWN				
CHK				
APP				

NO	Symbol
1	/CS1
2	/RES
3	A0
4	/MR
5	/RD
6	DB0
7	DB1
8	DB2
9	DB3
10	DB4
11	DB5
12	DB6
13	DB7
14	VDD
15	VSS
16	VOUT
17	CAP3P
18	CAP1N
19	CAP1P
20	CAP2P
21	CAP2N
22	V4
23	V3
24	V2
25	V1
26	V0
27	C86
28	PS