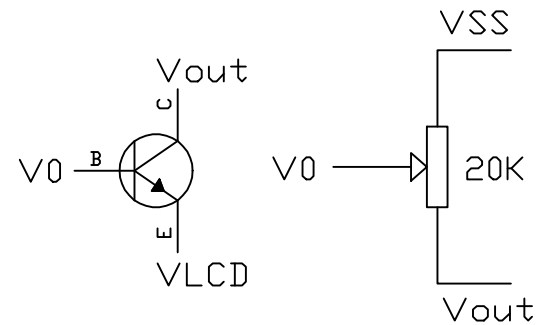


SCALE: 20:1



模块简要说明:

SYG240128AV20点阵COG模块
 硬件上全兼容SYB240128AV21模
 块, 工作电压范围宽, 模块电
 源和背光电源可选在5V或3.3V
 下工作

时序选择: BMO=0 8080
 BMO=1 6800

PIN	1	2	3	4	5	6	7	8	9	10	11
CONNECTION	FG	VSS	VDD	V0	/WR	/RD	/CS	A0	/RST	DB0	DB1
PIN	12	13	14	15	16	17	18	19	20	21	22
CONNECTION	DB2	DB3	DB4	DB5	DB6	DB7	BMO	Vout	BLA	BLK	NC

SPECIFICATION:

- Driving: DUTY:1/128, BIAS:1/12, VLCD:16.0V, VDD:5.0V/3.3V
- Viewing angle: 6 O'CLOCK
- Display mode: STN(BLUE)/NEGATIVE/TRANSMISSIVE
- Operating temp: -20°C~+70°C
- Storage temp: -30°C~+80°C
- Controller IC: UC1698U (or compatible)
- Backlight: Edge(White), VLED=5.0V/3.3V, ILED=65mA
- Dimensions with mark "*" are important, with mark "()" are referenced
- All the raw materials are RoHS complicant

REV	REVISION RECORD	DATE	深圳市三元晶科技有限公司 ShenZhen TCC LCD Hi-Tech Co., Ltd.				
A							
B			MODEL NO. 模组型号	SYG240128AV20	GENERAL TOL: 未注公差 ± 0.3		
C			APPROVED BY 审核	CHECKED BY 检查	DRAWING BY 绘图	PAGE: 页面 1 OF 1	UNIT: 单位 mm
D					Luoxian 2012/06/11	PROJECTION 三角法	