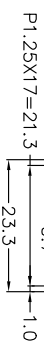
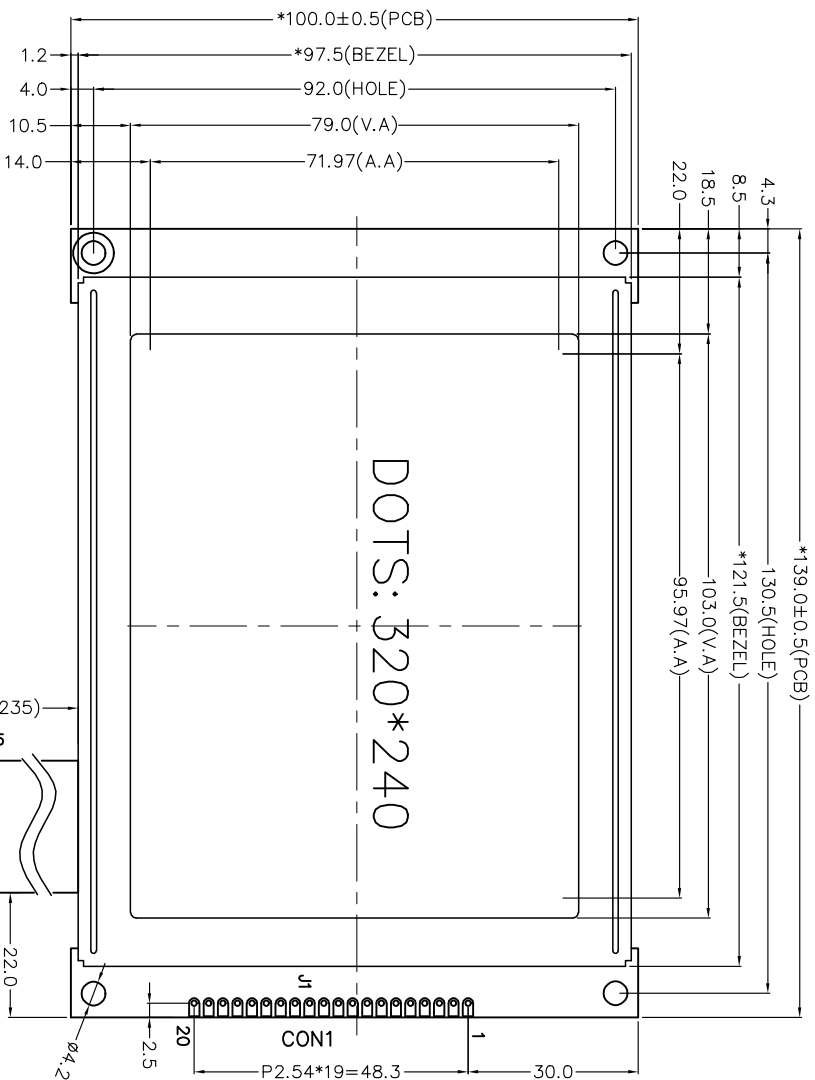
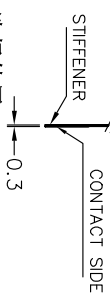


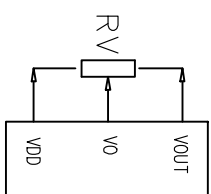
Customer approval :



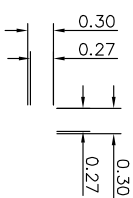
接口选择使用, FPC选择使用



FFC LAYOUT



DOTS DETAIL



J1		J2								
PIN	1	2	3	4	5	6	7	8	9	10
CONNECTOR	GND	VDD	V0	/WR	RD	/CS	A0	/RST	DB0	DB1
CONNECTOR	DB2	DB3	DB4	DB5	DB6	DB7	BLA	BLK		

Specification:

- 1). Driving: Duty:1/240, Bias: 1/16, V_{OUT}: -19, 50V, V₀: -13, 50V, V_{DD}: 5.0V
- 2). Viewing angle: 6 O'clock
- 3). Display mode: STN/Negative/Transmissive/BLUE
- 4). Operating temp.: -20°C~+70°C
Storage temp.: -30°C~+80°C
- 5). IC: RA8835AP3N (or compatible)
- 6). Backlight: EDGE WHITE
- 7). Dimensions with mark "*" are important, with mark "()" are referenced
- 8). All the raw materials are RoHS compliant

REV	REVISION RECORD	DATE
A0	First issue	1-14



 深圳市三元晶科技术有限公司
 ShenZhen TCC LCD Hi-Tech Co., Ltd.

MODEL NO. SYM320240C1V10-5C2BLN3R8 GENERAL TOL: ± 0.3

APPROVED BY CHECKED BY DRAWING BY

PAGE? 1 OF 1 UNIT: mm
PROJECTION

